

Laceys.tv

QUALITY ELECTRONICS FOR THE RECEPTION OF TELEVISION

CATALOGUE 108

- ANTENNAS & MOUNTING HARDWARE
- AMPLIFIERS & MODULATORS
- A/V LEADS, CABLE, CONNECTORS, HAND TOOLS & OUTLET PLATES
- DATA PRODUCTS
- DIPLEXERS, FILTERS & PASSIVES
- INSTRUMENTS
- MOUNTING BRACKETS & CABINETS
- COMMERCIAL MATV, SMATV & CATV
- CCTV
- SATELLITE EQUIPMENT
- RECEIVERS

32 YEARS OF EXPERTISE & LEADING BRANDS

Australian owned and operating for more than 32 years, Lacey's.tv continues its dedication to sourcing technologically advanced products and is the sole importer of some of the world's most important and recognised television reception brands.



FRACARRO

- Television Antennas
- Antenna Mast Amplifiers
- Splitters / Taps / Couplers
- Digital TV Modulators

FRACARRO is the market leader in designing and producing products for excellence in TV Reception.

Italian design, engineering and manufacturing, Fracarro have the experience and technological expertise in manufacturing acquired over 77 years in business.

Fracarro is Europe's largest Antenna manufacturer with a significant share of the Australian TV Antenna market, long the choice of installers working in the most difficult reception areas.

Fracarro also manufacture a broad range of quality MATV products and these have been employed successfully in headends across Australia for almost 20 years.



- Security Cameras
- Network Video Recorders
- Digital & Analogue HD Video Recorders
- Cabling
- Mobile application & support

SECURITY INDUSTRIES represents a wide range of CCTV products including the latest IP and security cameras, network and digital video recorders.

LABGEAR

- TV Signal Meters
- Taps

LABGEAR brand is synonymous with quality terrestrial TV and satellite TV signal meters for domestic and commercial MATV applications.



- TV Mounting Hardware
- TV Flyleads
- TV Coaxial Cable
- Splitters for TV & Satellite
- Connectors & Adaptors
- HDMI Leads & Accessories

AERIAL INDUSTRIES brand represents a diverse range of products covering TV reception accessories, cabling and AV accessories.

OGG LABS

- Digital TV Modulators

OGG LABS brand was founded with a vision to achieve technologically advanced product solutions for common problems associated with television reception.

OGG LABS is committed to delivering solutions for digital content, specialising in DVB-T and HDMI products for TV.



- Digital TV Modulators
- TV Brackets
- HD Television Set Top Boxes
- Audio Video Senders

healing is one of Australia's original and iconic consumer electronic products brands. Extensive testing and development work invested in healing products performed at our engineering division has assured an outcome of outstanding performance and high reliability.

Mounting Brackets & Cabinets

LED / LCD / Plasma TV Brackets

Fixed TV Mounting Brackets.....	100
Full Motion Mounting Brackets.....	101
Corner Mounting Bracket.....	102
Tilt TV Mounting Brackets.....	102
Pull Out Mounting Brackets.....	102

Miscellaneous Brackets

Projector Brackets.....	103
Speaker Brackets.....	103

Sony Bravia TV Wall Mount Solution.....	103
Meliconi Television Mounting Brackets.....	103

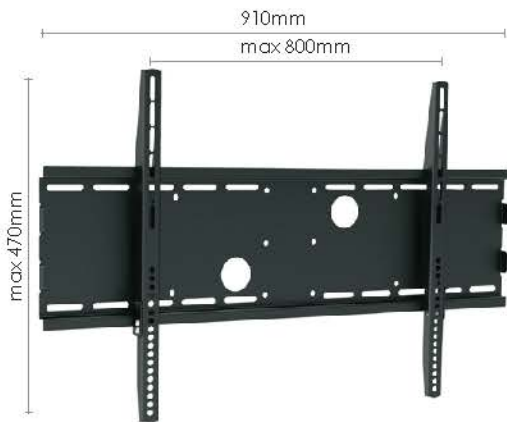
Cabinets

19" Wall & Floor Standing Cabinets.....	104
Open Wall Cabinet.....	104
Multimedia & Data Cabinets.....	104-105
Cabinet Accessories & Cabinet Shelves	105-106
Multi-purpose Rack Mount Bracket.....	106
NBN Enclosure.....	106

Mounting Brackets & Cabinets

LED/LCD/PLASMA TV BRACKETS

FIXED TV MOUNTING BRACKETS



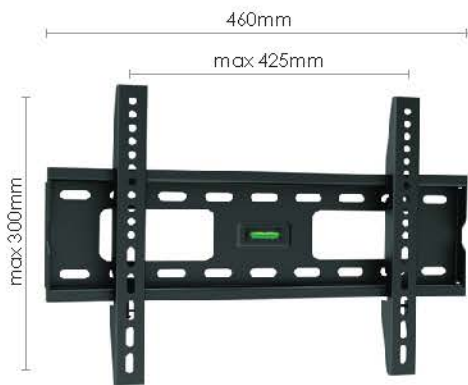
PLB13

For 37" to 70" panels weighing up to 75kg. 32mm Low Profile bracket depth. Accommodates panel mountings up to 800mmW x 470mmH. Max VESA 800mm x 400mm.



PLB17

For 32" to 55" panels weighing up to 75kg. 32mm Low Profile bracket depth. Accommodates panel mountings up to 480mmW x 330mmH. Max VESA 400mm x 200mm.



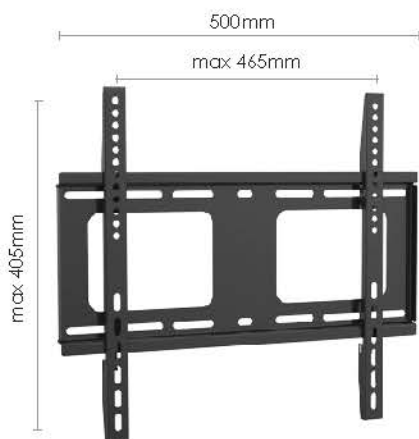
PLB34

For 32" to 55" panels weighing up to 75kg. 36mm Low Profile bracket depth. Accommodates panel mountings up to 425mmW x 300mmH. Maximum VESA 400mm x 200mm and 300mm x 300mm.



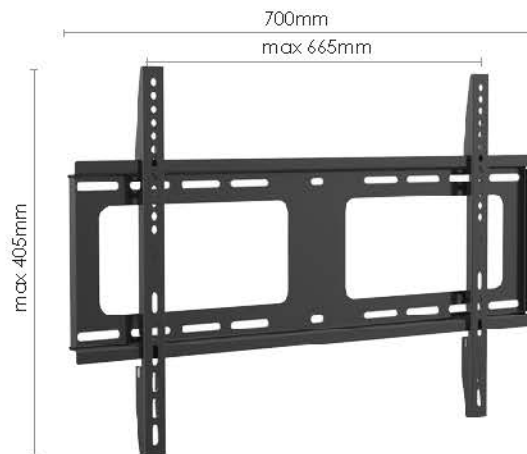
PLB34L

For 37" to 70" panels weighing up to 75kg. 36mm Low Profile bracket depth. Accommodates panel mountings up to 625mmW x 400mmH. Maximum VESA 600mm x 400mm.



PLB44

Small heavy duty fixed bracket for 32" to 55" panels weighing up to 80kg. Low 22mm profile. Accommodates panel mount spacing up to 465mmW x 405mmH. Max VESA 400mm x 400mm.



PLB46F

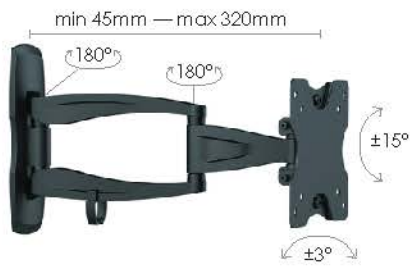
Impressive heavy duty fixed bracket for 37" to 70" panels weighing up to 80kg. Low 22mm profile. Accommodates panel mountings up to 665mmW x 405mmH. Max VESA 600mm x 400mm.

Ideal to reach between 45cm or 60cm studs spacings.

Large wall cuts.

Mounting Brackets & Cabinets

FULL MOTION MOUNTING BRACKETS



LDA03-113S 3 point swivel arm with $\pm 15^\circ$ tilt and $\pm 3^\circ$ pivot. For 13" to 27" panels weighing up to 15kg. 100mm and 75mm VESA mounting holes.



LDA03-223S LED / LCD Cantilever adjustable bracket 3 point full motion $\pm 90^\circ$ swivel arm with $\pm 15^\circ$ tilt and $\pm 3^\circ$ of roll for flexible viewing positions. Up to 20kg panel weight for 23" to 42" panels. 200mm, 100mm and 75mm VESA mounting holes.



LPA50443 For 23" to 55" panels weighing up to 35kg. Reaches up to 615mm from the wall. Tilts to $\pm 15^\circ$, swivels $\pm 90^\circ$, level adjustment $\pm 3^\circ$. Max VESA 400mm x 400mm.

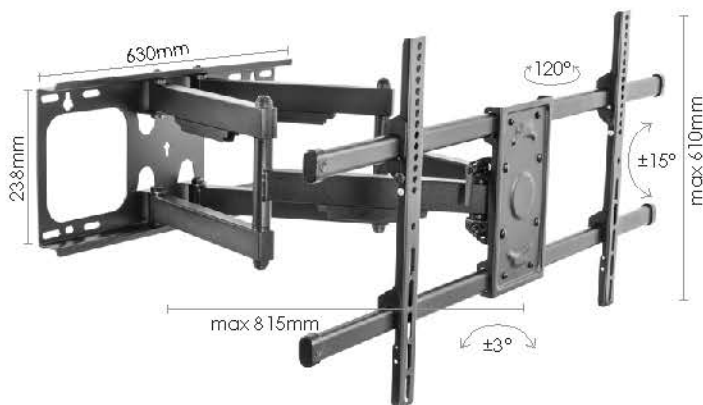
Multiple fixing options make it suitable for stud or solid wall mounting. Includes neat wall mount covers and cable management system.



DESIGNED FOR CARAVANS

TVL242 For 13" to 42" panels weighing up to 15kg. Particularly flexible, TVL242 swivels to $\pm 90^\circ$, tilts to $\pm 55^\circ$ and reaches up to 392mm from the wall. Max VESA 200mm x 200mm.

Ideal for caravans and motor homes, it folds to save space when not in use. Locking mechanism at multiple points — each elbow locks to minimise the possibility of movement whilst vehicle is in motion. Cable management system included.



LP6363 For 50" to 90" flat and curved TV panels weighing up to 75kg. Tilts to $\pm 15^\circ$, swivels $\pm 60^\circ$, level adjustment $\pm 3^\circ$. Max VESA 800mm x 600mm.

Wide mounting plates enable easy installation on a stud wall, super low profile when folded in.

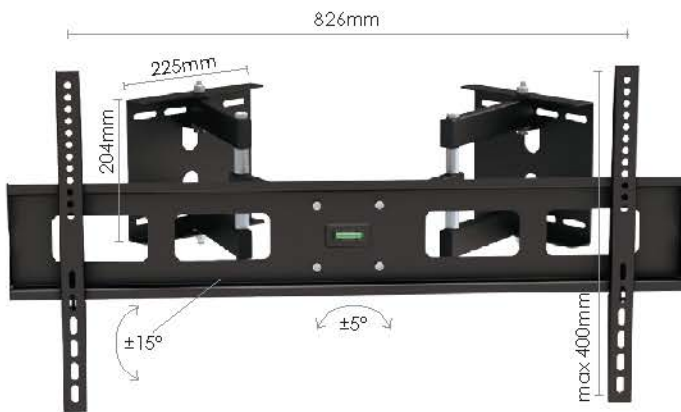


LP6448 For 37" to 70" flat and curved TV panels weighing up to 65kg. Tilts to $\pm 15^\circ$, swivels $\pm 60^\circ$, level adjustment $\pm 3^\circ$. Max VESA 600mm x 400mm.

Wide mounting plates enable easy installation on a stud wall, super low profile when folded in. Can be pulled out from the wall (635mm extension) for optimised viewing angle.

Mounting Brackets & Cabinets

CORNER MOUNTING BRACKET



LPA13-484CBL

For 37" to 63" panels weighing up to 60kg. Tilts to $\pm 15^\circ$, level adjustment $\pm 5^\circ$. Accommodates panel mountings up to 826mmW x 400mmH. Max VESA 800mm x 404mm.

PULL OUT MOUNTING BRACKETS



LCDWA5

Pull out elbow bracket for 23" to 42" panels weighing up to 30kg, up to $\pm 20^\circ$ tilt, with $\pm 180^\circ$ swivel. Max VESA 200 x 200mm. Can be pulled out from the wall (675mm extension) for optimised viewing angle.



PLBWA7

LCD wall mount for 23" to 37". Up to 75kg panel weight. 130mm to 300mm profile bracket depth. Rotates $\pm 45^\circ$ with $\pm 15^\circ$ tilt. Accommodates panel mountings up to 500mmW x 320mmH.

TILT TV MOUNTING BRACKETS



PLB35L

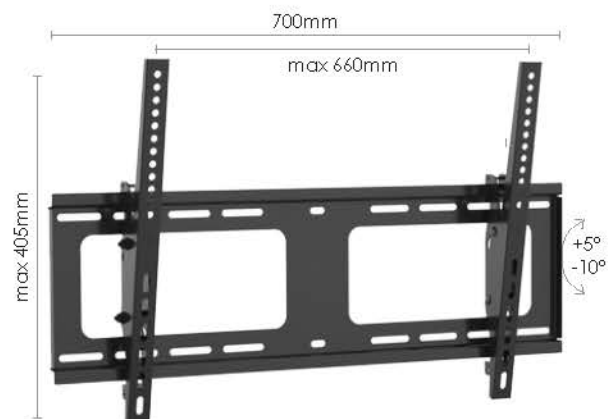
For 37" to 70" panels weighing up to 75kg. Accommodates panel mountings up to 610mmW x 404mmH. Max VESA 600mm x 400mm.



PLB45

For 32" to 55" curved & flat panels weighing up to 80kg. Tilts to $\pm 10^\circ$. Accommodates panel mount spacing up to 460mmW x 405mmH. Max VESA 400mm x 400mm. 55mm wall profile at 90° .

Large wall cuts.



PLB47

For 37" to 70" flat and curved panels weighing up to 80kg, heavy duty. Tilts to $\pm 10^\circ$. Accommodates panel mount spacing up to 660mmW x 405mmH. Max VESA 600mm x 400mm. 55mm wall profile at 90° .

Large wall cut outs retain bracket strength whilst enabling easy access and simplifying cable concealment.

Mounting Brackets & Cabinets

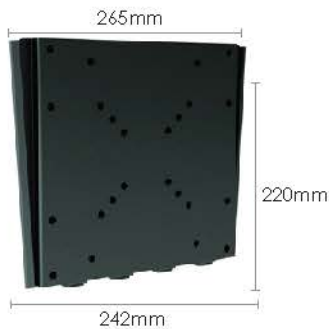
MISC. BRACKETS



UNDER CABINET!

LCDUCM

Gliding arm swings screen up and away when not in use. Swivels for multiple viewing angles. For 9" to 17" panels weighing up to 8kg. 100mm, 75mm and 50mm VESA mounting holes. Tilt range 110°, swivel range 250°.



LCD201L

LCD bracket super Low Profile for 23" to 42", only 18mm deep. 2 piece bracket, with lock screws. Up to 35kg panel weight. 200mm, 100mm, 75mm and 50mm VESA mounting holes. TV to wall 18mm.

PROJECTOR BRACKETS



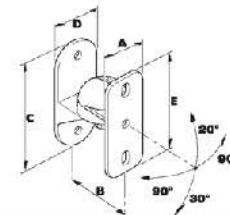
PRB1

Suits up to 10kg projector weight, with 80mm x 150mm ceiling spacing tube.

SPEAKER BRACKETS



BM-SXS



A = 40mm
B = 67mm
C = 90mm
D = 45mm
E = 80mm

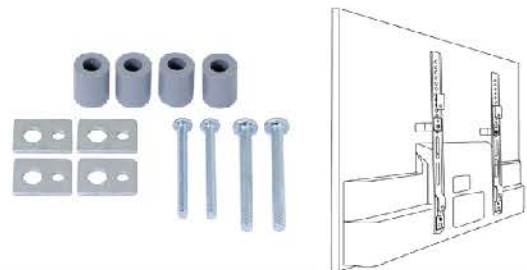
BM-SXS

Black, 1 x pair, ±30° tilt and 90° swivel. 5kg max.

BM-S50S

Silver, 1x pair, ±30° tilt and 90° swivel. 5kg max.

SONY BRAVIA TV WALL MOUNT SOLUTION



SHK-01

Accessory kit permits use with your choice of several 'healing' TV brackets. Holds the TV more securely at 4 fixing points rather than the 2 the factory original bracket allows.

MELICONI PREMIUM TELEVISION MOUNTING BRACKETS

ROTATING TV WALL BRACKET



A = 500mm B = 300mm C = 260mm
D = 75mm E = 560mm

BM-MRB Black, for 43 to 53cm diag. screen size, max 25kg.

BM-R25S Silver, for 51 to 63cm diag. screen size, max 40kg.

FIXED TV WALL BRACKET



A = 330mm B = 250mm C = 260mm
D = 75mm E = 400mm

BM-MB Black, for 51 to 63cm diag. screen size, max 30kg.

BM-MS Silver, for 51 to 63cm diag. screen size, max 30kg.

BM-SEB Black, for 35 to 48cm diag. screen size, max 25kg.

BM-SES Silver, for 35 to 48cm diag. screen size, max 25kg.

ADJUSTABLE DVD / RECEIVER MOUNT



A = 300mm to 460mm B = 75mm to 130mm

BM-VCRB Black, fits any DVD, Receiver, VCR etc, adjustable.

BM-VCRS Silver, fits any DVD, Receiver, VCR etc, adjustable.

Mounting Brackets & Cabinets

CABINETS

19 INCH FLOOR STANDING CABINETS



CAB196042



CAB196025

- CAB196020B** 20u, 109cm H x 60cm W x 60cm D. Lockable.
- CAB196025B** 25u, 132cm H x 60cm W x 60cm D. Lockable.
- CAB196030B** 30u, 154cm H x 60cm W x 60cm D. Lockable.
- CAB196035B** 35u, 176cm H x 60cm W x 60cm D. Lockable.
- CAB196042B** 42u, 208cm H x 60cm W x 60cm D. Lockable.
- CAB196046B** 46u, 230cm H x 60cm W x 60cm D. Lockable.
- CAB198042B** 42u, 208cm H x 60cm W x 80cm D. Lockable.

Include: 2x shelves, 2x fans, 2x Cable Management racks and removable castors / stands. Cabinet height is measured from the floor (including castors).

OPEN WALL CABINETS



- CAB193002W** 2u, white. 9.5cm H x 49cm W x 30cm D.
- CAB193003W** 3u, white. 13.5cm H x 49cm W x 30cm D.
- CAB193004W** 4u, white. 18cm H x 49cm W x 30cm D.
- CAB193006W** 6u, white. 27cm H x 49cm W x 30cm D.

19 INCH WALL CABINETS



CAB194506B

- CAB194506B** 6u, 36cm H x 60cm W x 45cm D.
- CAB194509B** 9u, 50cm H x 60cm W x 45cm D.
- CAB194512B** 12u, 64cm H x 60cm W x 45cm D.
- CAB194515B** 15u, 78cm H x 60cm W x 45cm D.

Lockable, mainly available in black.

MULTIMEDIA & DATA CABINETS

MINI CABINETS FOR 10" PATCH PANELS



- CAB6RUMINI** 6 RU, W 350 x D 220 x H 335mm.
- CAB9RUMINI** 9 RU, W 350 x D 220 x H 490mm.

Wall mount or table top installation. Removable side panels. Cable entry from rear, top and bottom.



- CAB191506** 6U, Low Profile 34cm H x 60cm W x 15cm D.
- CAB191509** 9U, Low Profile 46cm H x 60cm W x 15cm D.
- CAB191512** 12U, Low Profile 58cm H x 60cm W x 15cm D.

Can be mounted with hinges left or right side. 1 fan hole. Available in black and computer beige.

Mounting Brackets & Cabinets



CAB1955H06 6U, 36.5cm H x 60cm W x 55cm D.

CAB1955H09 9U, 48.5cm H x 60cm W x 55cm D.

CAB1955H12 12U, 60.5cm H x 60cm W x 55cm D.

Hinged for complete rear access, can be mounted with hinges left or right side. 2 fan holes. Quick release side lockable panels. Available in black and computer beige.

CABINET ACCESSORIES



CAB19CMR1 Cable management rack.



CMCP13 Cable Management rail for 19" data/distribution cabinets, 13 finger.



CAB19BP05 1/2u blanking panel.

CAB19BP1U 1u blanking panel.

CAB19BP2U 2u blanking panel.

CAB19BP3U 3u blanking panel.

CAB18BP4U 4u blanking panel.



CAB6OUTPOWER 19" rack 6 outlet recessed power rail.

CAB8OUTPOWER 19" rack 8 outlet recessed power rail.

CAB10OUTPOWER 19" rack 10 outlet recessed power rail.

CAB12OUTPOWER 19" rack 12 outlet recessed power rail.

CAB15OUTPOWER 19" rack 15 outlet recessed power rail.



CAB19CFAN



CAB19CAST



CAB19BR1U

CAB19BR1U Black brush panel.

CAB19CFAN 240V cooling fan.

CAB19CAST Individual castors for floor standing cabinets.



PATCHCAT5E24 CAT5e 24 port data patch panel.



PATCHCAT624 CAT6 24 port data patch panel.

Refer to Data Products section for more patch panels.



CAB19RP2U 2u recessed panel.

CAB19RP4U 4u recessed panel.

CAB19RP6U 6u recessed panel.

Mounting Brackets & Cabinets

CABINET SHELVES



CAB1945SH CAB1960SH CAB1960SS



CAB192U400SH

- CAB1945SH** Cabinet wall shelf, 290mm D x 490mm W.
- CAB1960SH** Floor cabinet fixed equipment shelf, 465mm D x 290mm W.
- CAB1960SS** Floor cabinet vented sliding shelf, 380mm D x 445mm W. <30kg load, 3 stage sliders pull out fully for easy equipment access.
- CAB192U400SH** 2u cantilever shelf, 445mm D x 400mm W.

MULTI-PURPOSE RACK MOUNT BRACKET



- BKT193RU** 19" multi-purpose 3RU Rack Mount Bracket. Designed to mount 6 x PayTV boxes or 4 x MOD1 HD Modulators and 4 x PayTV boxes or 8 x MOD1 HD Modulators.

Refer to MATV section for more information on MOD1HD digital modulator.

NBN ENCLOSURE



NBNENC

Supplied with double powerpoint, 6 gang CAT6 outlet, blank plate and CAT6 wall plate mechanisms. Strong construction with 1.2mm sheet powder coated metal. Wi-Fi friendly. 700mmH x 400mmW x 150mmD

This enclosure (NBNENC) complies with the NBN Co guidelines and regulations NBN-NO-GDE-0011.

It is supplied with all enclosure accessories except for the optional Flush frame kit. 7 x 32mm knockouts to top and rear access hole.



NBNFK

Flush frame kit for NBNENC.

Index of Products

Symbols

3DG-2S2-2T 109
3DGFLEX 109
4E2 15
4E3 15
4E512F 14
6D 14
6DF 14
6E6 14
6E7 14
6E12F 14
6E512F 13
6H1 14
10/4753/R 16
10/6269/R 16
10BL5F 17
10BL45F 17
10F2734 16
10F3546 16
10F4769 16
10RD4F 18
10RD5F 18
11D 14
11E6 14
11E7 14
11E8 14
11H 14
11H1 14
20/5461 16
20ALFA 16
20BL4F 17
20BL5F 17
20BL45F 17
20DELTA 16
20RD4F 18
20RD5F 18
76BGS36 43
1405RB 58
1405RW 58
1407RB 58
1407RW 58
2030F 69
2030SC 69
2122.. 72
2305.. 72
2355.. 72
2396.. 72

A

A1PA 20
AA2501 50
AA2502 50
AA2503 50
AA2504 50
AA3501 50
AA3502 50
AA3503 50
AA3504 50
AA3505 50
AA3506 50
AA3507 50
AA3508 50
AA3509 50
AA3510 50
AA3511 50
AA6301 50
AA6302 50
AA6303 50
AA6304 51
AA6305 51
AA6306 51
AA6307 51
AA6308 51
AA6309 51
AA6310 51
AA6312 51
AARC01 52
AARC02 52
AARC03 52
AARC04 52
AARC05 52
AARC06 52
AARC08 52
AARC09 52
AARC10 52
AARC11 52
ADSLFL01 77
ADSLFL02 77
ADSLFL03 77
AFI112LTE700AUS 32
AIA4 13
AI6A 13
AI23 142
AIA86232 127
AID65 142
AID80 142
AID90 142
AIDCB 90
AIDCBT 55
AIFLP3 13
AIL107T 143
AIMA224E 30
AIMA236E 30
AIMS2W4 125
AIMS2W8 125
AIMS3W4 125
AIMS3W8 125
AIP2W 146
AISP2 83
AISP4 83
AISW2 90
AITP10 86
AITP16 86
AITP22 86
AITVF 96
AMP522AM 126
AMP9762 33
AMP9763 35
AMP9763B 35
AMP9764 34
ANT1200A 20
ANT3030810 20
ANT3100510 14
AP201S 92
AP201 S PLUS 92
AP201 S PLUS (DVB-S) 92
AP2502 51
AP3501 51
AP3502 51
AP6301 51
AP6302 51
AP6303 51
AP6304 51
AQUASEAL-1 23
AQUASEAL-B 23
AR1001 46
AR1202 46
AR1203 46
AR1204 46
AR1205 46
AR1206 46

AR1207 46
AR1208 46
AR1209 46
AR1230 46
AR1250 46
AR1307 47
AR1310 47
AR1330 47
AR1350 47
AR1403 47
AR1407 47
AR1518 47
AR1530 47
AR1550 47
AR3309 47
AR3318 47
AR3350 47
AR4309 47
AR4310 47
AR4318 47
AR4330 47
AR4350 47
AR12051 46
AR12063 46
AR12065 46
AR120610 46
AR120615 46
AS2010 59
AS3106 59
AS3200 59
AS3501 61, 80
AS3811 59
AT2/.. 35
AT75-20 88
AT7520F 88
AT7520M 88
AVC3356 49
AVYUV4RC 43

B

BA7001 53, 139
BA7002 53, 139
BA7003 53
BA7004 53, 139
BA7005 53, 139
BA7008 53
BA7009 53
BA7011 53, 139
BA7016 53
BA7017 53
BA7022 53, 139
BA7023 53, 139
BA7024 53
BA7025 53, 139
BC12DC 98
BC75AC 98
BC75DC 98
BC7003 53
BC7007B 53, 139
BC7007C 53
BC7007D 53, 139
BC7009B 53, 139
BC7009C 53
BC7014 53
BC7015 53
BCH16 92, 93
BH900 22
BKT193RU 37, 106, 123
BLU220PLUS 18
BLU420F 18
BLU424F 18

BLU425F 18
BLV4F 14
BLV6F 14
BM-MB 103
BM-MRB 103
BM-MS 103
BMR3X 43
BM-R25S 103
BM-S50S 103
BM-SEB 103
BM-SES 103
BM-SXS 103
BM-VCRB 103
BM-VCRS 103
BP3 98
BP4 98
BP5 98
BP6 98
BP7 98
BP8 98
BR2-AA 116
BR4-AA 116
BS14.4U 92, 93
BS20 88
BS30 88
BS1234 98
BS1272 98
BT1 69
BT2F 69
BT2PAL 69

C

C5RB 57
C6RB 57
C7RB 57
C7S1B 57
C7S2B 57
C8RB 57
C10RB 57
C20BAG 98
C-1001 92, 93
CA1 16, 17
CA16 15
CA215 33
CA310 33
CA311 33
CA313 33
CA730 34
CAB6OUTPOWER 79, 105
CAB6RUMINI 78, 104
CAB8OUTPOWER 79, 105
CAB9RUMINI 78, 104
CAB10OUTPOWER 79, 105
CAB12OUTPOWER 79, 105
CAB15OUTPOWER 79, 105
CAB18BP4U 105
CAB19BP1U 105
CAB19BP2U 105
CAB19BP3U 105
CAB19BP05 105
CAB19BR1U 79, 105
CAB19CAST 79, 105
CAB19CFAN 79, 105
CAB19CMR1 79, 105
CAB19RP2U 79, 105
CAB19RP4U 79, 105
CAB19RP6U 79, 105
CAB192U400SH 79, 106
CAB1945SH 79, 106
CAB1955H06 78, 105
CAB1955H09 78, 105

Index of Products

- CAB1955H12 78, 105
CAB1960SH 79, 106
CAB1960SS 79, 106
CAB191506 79, 104
CAB191509 79, 104
CAB191512 79, 104
CAB193002W 79, 104
CAB193003W 79, 104
CAB193004W 79, 104
CAB193006W 79, 104
CAB194506B 104
CAB194509B 104
CAB194512B 104
CAB194515B 104
CAB196020B 78, 104
CAB196025B 78, 104
CAB196030B 78, 104
CAB196035B 78, 104
CAB196042B 78, 104
CAB196046B 78, 104
CAB198042B 78, 104
CABLETIDY 57
CAD11 84
CAD12 84
CAD13 84
CAD14 84
CAPM25 21
CAPM32 21
CAPM38 21
CAT5E/305 50, 75
CAT5JOINER 77
CAT6/305 50, 75
CAT6/305F 50, 75
CAT6A/305 50
CAT6A/305F 75
CAT6JOINER 77
CB382P 26
CB3825P 26
CBK6 22
CBK12 22
CCBKIT 22
CD12 84
CD142 84
CD144 84
CD201 84
CD202 84
CD204 84
CD262 84
CD264 84
CDBC 28
CDIN2F 51
CDIN2M 51
CEF8 55
CEM3-6 27
CF-511 34
CFB1212 22
CFB1512 22
CFB1812 22
CFB2716 22
CFD21B 142
CH01 40
CIR700-36 135
CIR700-49 135
CJ59H 55
CL449A 69
CL449AS 69
CLT2 58
CMCP13 79, 105
CMS-EYE 57
CMS-GRABBIT 57
CMS-HOOK 57
CMS-ROD 57
CN9 84
COM6 124
COM12 124
CS382 26
CS3815 26
CS3825 26
CS51615 26
CS51625 26
CSVMD4 51
CT100 58
CT190 58
CT300 58
CT350 58
CTR500 98, 140
CVNWM2 28
CVNWP 28
CWDM2 113
CWDM5 112
CXLRFL 51
CXLRFP 51
CXLRML 51
CXLRMP 51
- D**
DA10-VOICE CONNECT 76
DA43 34
DAAMP5 126
DAILKJ 77
DAILKJ-C6 77
DAS202 95
DAT103 94
DCB 23
DCC225 124
DCC304 124
DCC404 124
DE1-10 86
DE1-14 86
DE1-18 86
DE1-22 86
DE2-10 86
DE2-14 86
DE2-18 86
DE2-22 86
DE4-12 86
DE4-14 86
DE4-18 86
DE4-22 86
DE6-16 86
DE6-20 86
DE6-25 86
DE8-16 86
DE8-20 86
DE8-25 86
DG OHM COMPACT 93
DG-OHM FULL HD 93
DG-OHM HD 93
DIGIT-65 142
DKG-GF-B 24
DKG-GF-S 24
DKG-KIT-B 24
DKG-KIT-S 24
DKG-MF-B 24
DKG-MF-S 24
DL110 61, 80
DL304IDC 62, 80
DL314KR 61, 80
DL501 59
DL518 61
DL702A 62, 80
DL801F 60
DL806H 60
DL806J 60
DL807 61
DL808 61
DL1068 61, 80
DL2668R 62, 80
DL5206 59
DLA002 116
DM36/10 86
DM36/13 86
DM36/16 86
DM36/19 86
DM37 86
D-MATRIX-4S EVO 108
D-MATRIX-8T 108
DNP10 26
DNP12 26
DPOUVFSDP 87
DSD4121RVPVRREADY 149
DSQ4B 146
DSQ4W 146
DSR46391TB 149
DVBS2-800CA 149
DVMI 22
DVRMILANO16 134
DVRSDI2-8 134
DVRVENEZIA4 960H 133
DVRVENEZIA16 960H 133
DW32 34
DW42 34
- E**
EC7001 53
EC7002 53
EC7003 53
EC7004 53
EC7005 54
EC7006 54
EC7007 54
EC7008 54
EC7009 54
EC7010 54
EC7011 54
EC7012 54
EC7013 54
EC7016 54
EC7017 54
EC7018 54
EC7019 54
EC7020 54
EC7022 54
EC7023 54
EC7024 54
EC7026 54
EC7027 54
EM230 21
EM280 21
EM690 21
EM1020 21
EM1500 21
EMK 21
ES345/32 87
ES345/39 87
ES1008P 77
ESV45 87
ESV45S 87
ESVU 87
ESVUU 87
EU503 69
EU503DE 69
EU503F 69
EU503ISOL 69
EU503PF 69
EZYGUTTERMOUNT 145
- F**
FA1-6 85
FA1-8 85
FA1-10 85
FA1-12 85
FA1-16 85
FA1-20 85
FA1-24 85
FA1-30 85
FA2-8 85
FA2-10 85
FA2-12 85
FA2-16 85
FA2-20 85
FA2-24 85
FA2-30 85
FA4-10 85
FA4-12 85
FA4-14 85
FA4-16 85
FA4-18 85
FA4-20 85
FA4-24 85
FA4-27 85
FA4-30 85
FA4-MT 86
FA8-14 85
FA8-16 85
FA8-18 85
FA8-20 85
FA8-24 85
FA8-27 85
FA8-30 85
FA7001 54
FA7001N 54
FA7002 54
FA7002FA 54
FA7004 55
FA7006 55
FA7013 55
FA7014 55
FA7015 55
FA7016 55
FA7017 55
FA7018 55
FA7019 55
FA7022 55
FA7023 55
FA7024 55
FA7025 55
FA7026 55
FAE50 89
FAE60 89
FAS1-12 86
FAS1-15 86
FAS2-12 86
FAS2-15 86
FAS4-15 86
FAS4-25 86
FATT3 88
FATT6 88
FATT6PP 88
FATT12 88
FATT12PP 88

Index of Products

FATT24 88
FATT24FP 88
FB4 89
FB607042A 145
FBLKDC 90
FBPA50 89
FBPB50 89
FBPC50 89
FBPD50 89
FBPE50 89
FC7001B 56
FC7002B 56
FC7002C 56
FC7004B 56
FC7005 56
FC7005L 56
FC7006B 56
FC7006C 56
FC7006D 56
FC7008B 56
FC7008C 56
FC7009B 56
FC7009C 56
FC7013C 56
FC7014 55
FC7016 56
FC7017 56
FC7018 56
FC7019C 56
FC7019D 56
FC7020 56
FC7022 56
FC7023 56
FC7024 56
FC7025 56
FC7026 56
FCBOOT 56
FCGB1 56
FCV300 93
FDC12B 85
FDC17B 85
FDC23B 85
FH1 88
FHP12 97, 114
FKLA 23
FL0.5MMRRBQUAD 48
FL3BPMH 90
FL10FFSBQUAD 48
FL10FMSBQUAD 48
FL10MMRW 48
FL15MFSB 48
FL15MFSBQUAD 48
FL15MFSW 48
FL15MMSB 48
FL15MMSW 48
FL18FFMMW 48
FL18FFSBQUAD 48
FL18FMSBQUAD 48
FL18FMSWQUAD 48
FL18MFSBQUAD 48
FL18MMSBQUAD 48
FL18MMSWQUAD 48
FLEXITILE 23
FLRJ45F 74
FM50FV 90
FO-SC/APC-DEC 116
FP2E 92, 93
FP/FM 90
FRPRO10 110
FS/AU28 90

FS/FM 90
FWM 24

G

GAP 25
GCG25 25
GELCON2 77
GELCON3 77
GMANT2 21
GPA32 26
GPB39 26
GPC43 26
GPD50 26
GW30/6X1.12 25
GW180/7.90 25
GWC3 25
GWC5 25

H

HC01 40
HD1TB 139
HD2TB 139
HD3TB 139
HD4TB 139
HD6TB 139
HD8TB 139
HDC6IRL 41
HDEZILOCK 41
HDM20 45
HDMIB1.5 45
HDMICA3 45
HDMIDVI 41
HDMie0.5 45
HDMie1.0 45
HDMie2.0 45
HDMie3 45
HDMie3.0 45
HDMie5.0 45
HDMie8.0 45
HDMie10 45
HDMie15 45
HDMIFF 41
HDMIHV1 45
HDMIHV2 45
HDMIHV3 45
HDMILP2.0 45
HDMIMATRIX4X2 40
HDMIMFRA 41
HDMIRAMFA 41
HDMIREP 40, 45
HDMISP2 40
HDMISP4 40
HDMISP8 40
HDMISP16 40
HDMISW1X3 40
HDMISW3 40
HDT1500 145
HHS242 148
HHT651 148
HIR434 42
HL90 128
HL103 128
HL107 128
HL108 128
HL111 128
HL112 128
HL500FM 128
HL500RAFM 128
HL500SPLICE 128
HL500ST 128
HL750SL 128

HL7001 128
HLFC6 128
HLHT106 128
HLPG11-PG11 128
HLPG11-RG11 128
HLPG111-5/8 128
HMFB001 146
HN14P 26
HN38P 26
HN316P 26
HN516P 26
HSB45 22
HSB90 22
HT0037 62, 80
HT106A 60
HT109 59
HT218 58
HT224A 60
HT224D 60
HT501 59
HT507 61
HT516A 61
HT516B 61
HT601B1 60
HT807RG611 61
HT2206F 60
HTSPEEDTERM 62, 80
HVS580 42
HVS890 22
HW13M4 26

I

INC01 96, 146
IREHDMI 42
IREUSB 41
IREUSB4 41
IS3KV 90

J

JBSS16 22
JBSS 22
JCASS-500-P3 49
JS26A00 59

K

K120A/.. 117
K120L 35
K120L/.. 117
KA400 119
KA800 119
KCMU 117
KCMU/S 117
KCPN 118
KD100 119
KDTR-S 118
KF/AU.. 117
KFCJ21 143
KFH21 143
KFH22N 144
KFM21 143
KITKCPN5 118
KITLPV345FRP 27
KITVASTCARAVAN 27, 146
KITVASTCVN2 27
KMS 117
KP15 119
KP35 119
KP62 119
KPN42 119
KPN51 119
KPR41 119

KPS06 36
KPS08 36
KPS08F 36
KRF15 119
KRF45 119
KRX 115
KSP1-2 116
KSP1-4 116
KTX 115
KW33B 118
KW33C 118
KW35E 118
KW44C 118
KX125 118

L

LA2-20 35
LARM 23
LARMWH 23
LCD201L 103
LCDUCM 103
LCDWA5 102
LDA03-113N 101
LDA03-113S 101
LDA03-223N 101
LDA03-223S 101
LNB DUALAUSTAR 144
LNBQUAD 144
LP3F 12, 13
LP4F 12
LP45F 12
LP45HV 10
LP45NF 12
LP345F 11
LP345MF 11
LP345MHV 10
LP6363 101
LP6448 101
LPA13-444BL 101
LPA13-484BL 101
LPA13-484CBL 102
LPA50443 101
LPV345F 11
LPV345HV 10
LRA32 26
LRB39 26
LRC47 26
LRD50 26

M

M1-4/5FV 87
M1825 21
M1832 21
M2425 21
M2432 21
M3032 21
M3632 21
M4532 21
M4538 21
MAGICSTRIP 57
MBX5710 32
MBX7750 33
MD100US 38
MD100VS 38
MDA15U 31
MDA15V 31
MDA15W 31
MDA20HT 31
MDA20UT 31
MDA3047 127
MDA6587 127

Index of Products

- ME900 21
ME1200 21
ME1500 21
ME1800 21
MEKIT 21
MEX800/06 127
MEX800/08 127
MHBT 69
MHBTW 69
MHU25F 31
MHU25FS 31
MHU35F 31
MHU35FS 31
MHW25F 31
MHW25FE 31
MHW25FS 31
MHW35F 31
MHW35FS 31
MHW43FS 31
MIN/MIN 114
ML01 126
ML02 126
MM214 88
MM807 87
MOD1BKT 37, 123
MOD1HD 37, 123
MP04AF 119
MP05AF 119
MP13AF 119
MP45AF 119
MS24SM 126
MS28SM 126
MS34SM 126
MS38SM 126
MS58SM 125
MS100 126
MS206 126
MS512SM 125
MS516SM 125
MS524SM 125
MS532SM 125
MT510 126
MT515 126
MT520 126
MVUVF 87
MW13FR 70
MW113A35 71
MW113BL 71
MW113BNC 71
MW113BR 70
MW113C6M 71
MW113DVI 71
MW113FF 70
MW113FF2 70
MW113FR 70
MW113HDMI 71
MW113KS 71
MW113PF 71
MW113RCA1 70
MW113RCA2 70
MW113RCA3 70
MW113RGB 70
MW113SPK 71
MW113TOS 71
MW113USB2 71
MW113USB3 71
MW113VGA 71
MX51HLF 87
MX61UVF 87
MX201 87
- MX206 87
MX208 87
MXA0F 87
- N**
NBNENC 79, 106
NBNFK 106
NG96F 92
NG500 93
NG754X 96
NIITO-11 57
- O**
OLS7315 97
OPM6010 97
OPSP1X2 116
OPSP1X4 116
OPSP1X5 116
OPSP1X6 116
OPSP1X8 116
OPSP1X9 116
OPSP1X10 116
OPSP1X12 116
OPTATT3DB 114, 116
OPTATT5DB 114, 116
OPTATT7DB 114, 116
OPTATT10DB 114, 116
OPTATT14DB 114, 116
OPTATT15DB 114, 116
OPT-RX-4MINI 112
OPT-RX51 115
OPT-RX54 115
OPTRX-DT 112
OPT-RXTV 112
OPT-TX51 115
OPT-TX54 115
OPTTX-1510 111
OPTTX-1530 111
OPTTX-1550 111
OPTTX-1570 111
OPTTX-DT 111
OT1009 47
OT1018 47
OT1030 47
OT1050 47
OT1100 47
OT1150 47
OT1200 47
OTDIV 43
OTJOIN 43
OTMADA 43
- P**
PA2 84
PA3 84
PA4 84
PA6 84
PA8 84
PATCH10BRACKET 76
PATCH108PC5E 76
PATCH108PC6 76
PATCH1012PC5E 76
PATCH1012PC6 76
PATCHCAT5E12W 76
PATCHCAT5E24 76, 105
PATCHCAT6A24 74
PATCHCAT612W 76
PATCHCAT624 76, 105
PATT3 88
PATT6 88
PATT12 88
- PATT24 88
PCCAT6.3-BLACK 75
PCCAT6.5-BLACK 75
PCCAT6.5-BLUE 74
PCCAT6.5-GREEN 75
PCCAT6.5-RED 75
PCCAT6.5-WHITE 74
PCCAT6.5-YELLOW 75
PCCAT6A1 74
PCCAT6A2 74
PCCAT6A3 74
PCCAT6A5 74
PCCAT6A10 74
PCCAT61-BLACK 75
PCCAT61-BLUE 74
PCCAT61-GREEN 75
PCCAT61-RED 75
PCCAT61-WHITE 74
PCCAT61-YELLOW 75
PCCAT62-BLACK 75
PCCAT62-BLUE 74
PCCAT62-GREEN 75
PCCAT62-RED 75
PCCAT62-WHITE 74
PCCAT62-YELLOW 75
PCCAT63-BLACK 75
PCCAT63-BLUE 74
PCCAT63-GREEN 75
PCCAT63-RED 75
PCCAT63-WHITE 74
PCCAT63-YELLOW 75
PCCAT65-BLACK 75
PCCAT65-BLUE 74
PCCAT65-GREEN 75
PCCAT65-RED 75
PCCAT65-WHITE 74
PCCAT65-YELLOW 75
PCCAT610-BLACK 75
PCCAT610-BLUE 74
PCCAT610-GREEN 75
PCCAT610-RED 75
PCCAT610-WHITE 74
PCCAT610-YELLOW 75
PCCAT615-BLACK 75
PCCAT615-GREEN 75
PCCAT615-RED 75
PCCAT615-WHITE 74
PCCAT615-YELLOW 75
PCCAT620-BLACK 75
PCCAT620-GREEN 75
PCCAT620-RED 75
PCCAT620-WHITE 74
PCCAT620-YELLOW 75
PCCATA1 74
PENTA-85 142
P2G 146
PI-8AL 37
PICA524WHITE 62
PICA524YELLOW 62
PICADRY 62
PICAINK-BLACK 62
PICAINK-BLUE 62
PICAINK-RED 62
PICAREFILL-WR 62
PICAREFILL-WS 62
PIGTAIL 116
PIK170FDC 37
PIK2750 37
PK3940 74
PLB13 100
PLB17 100
PLB34 100
PLB34L 100
PLB35L 102
PLB44 100
PLB45 102
PLB46F 100
PLB47 102
PLBWA7 102
PR003 114
PR005 114
PR010 114
PR025 114
PR100 114
PRADAPTER-SC/MINI 114
PRB1 103
PRO1059 42, 43
PRO1188A 43
PRO1188AS 43
PRO1235D 42
PRO1235DS 42
PRO1235DSWP 42
PRO1254D 42, 43
PRO1259 43
PRO1287 43
PRO1326 42
PS5DCP 36
PS12DCF 36
PS12DCP 36
PS14DCF 36
PS14DCP 36
PS17ACP 36
PS18DCF 37
PS22ACF 36
PS22ACP 36
PS24DCP 36
PSK06 36
PSK06F 36
PSK08 36
PSK08F 36
PSK12F 36
PSK12S 36
PSK18F 36
PSK18KR 36
PSK18S 36
PSUSBA1A 46
PU4AF 19
PU4F 19
PU8F 19
PU16F 19
PULLCON 114
PV2 23
PV8 23
PV10 23
PVCBK 57
PVP 23
PVZ-60 23
PW8018 139
PW8050 139
PW8204 139
PW8208 139
- R**
RAWM 24
RCA90B 52
RCA90R 52
RCAF01B 52
RCAF01R 52
RCAF02B 52
RCAF02R 52
RCAM01B 52

Index of Products

RCAM01R 52	SAM1075 26	SI10404 130	SP475FG 82
RCAM01Y 52	SAS2HC-G2 127	SI10808 130	SP475FPV 83
RCAM02 52	SAS3HC-G3 127	SI21616 131	SP1275FP 82
RCAM02B 52	SAS3U-G 127	SI63216 131	SP1675FP 82
RCAM02R 52	SAT2G-4 128	SIB2MWDRAHD 136	SP6125 84
RCAM03 52	SAT2G-8 128	SIB2MWDRIIP 137	SP6126 84
RCAM04B 52	SAT2G-11 128	SIB4M5IP 137	SP6127 84
RCAM04R 52	SAT2G-14 128	SIB13MAHD 136	SPK-10 49
RCAM6 52	SAT2G-17 128	SID1.3MAHD 136	SPK-12 49
RCAM59 52	SAT2G-20 128	SID2MWDRAHD 136	SPK-14 49
RCAMC6 52	SAT2G-23 128	SID2MWDRIIP 138	SPK-16 49
RCAMC59 52	SAT2G-26 128	SID2MWDRVFAHD 136	SPK-18 49
RFD2169BF 38	SAT2G-29 128	SID4M5IP 138	SPK-2224 49
RFD2169IR 38	SAT4G-8 128	SID4M5VFIP 138	SPK-2924 49
RG6/30B 48	SAT4G-11 128	SID13MAHD 136	SPK-4176 49
RG6/100B 48	SAT4G-14 128	SIG7100 121	SPKC165 44
RG6/100W 48	SAT4G-17 128	SIG7111 122	SPK-CM800 44
RG6/305B 48	SAT4G-20 128	SIG7120 120	SPK-ECS6.5 44
RG6Q/30B 49	SAT4G-23 128	SIG7121 120	SPK-ECS8 44
RG6Q/100B 49	SAT4G-26 128	SIG7282 122	SPKEWS530C 44
RG6Q/150BSIAM 49	SAT4G-29 128	SIG7282S 122	SPKEWS600 44
RG6Q/150B/SIAMFA 49	SAT4G-32 128	SIG7330 121	SPKOD5B 44
RG6Q/305B 49	SAT29D 34	SIG7340 121	SPKOD5W 44
RG6Q/305BE 49	SAT42D 34	SIG7400 122	SPK-RCSR650 44
RG6Q/305B/SPOOL 49	SATCM 145	SIG7401 122	SPK-RCSR800 44
RG6Q/305FA 49	SATFM 145	SIG7531 120	SPKWS612 44
RG6QF/305B 49	SATFMHD 145	SIG7540 120	SQ722 96, 146
RG6QF/305FA 49	SATGM 145	SIG7600-HTX 120	SRC101 43
RG6QLSZH 49	SATMM8-11 128	SIG7622 120	SS3825P 26
RG6QM/305B 49	SATMM8-14 128	SIG7624 120	STRAP-SEAL 22
RG11/BELDEN 49	SATMM8-17 128	SIG7710 121	SUVTM 84
RG11Q/305B 49	SATMM8-20 128	SIG7720 121	SUVTP 84
RG11Q/305FA 49	SATMM8-23 128	SIG7730 121	SWI4508DT 113, 125
RG11QF/305B 49	SATMM8-26 128	SIG7900 122	SWI4512DT 113, 125
RG11QF/305FA 49	SATMM8-29 128	SIG7901 123	SWI4516DT 113, 125
RG59/30B 48	SATWM 145	SIG7902 123	SWI4524DT 113, 125
RG59/100B 48	SB5-65 92	SIG7904 123	SWI4532DT 113, 125
RG59/305B 48	SB1060 26	SIG7905 122	
RG59AV3 48	SB1216 22	SIG9506S 125	T
RG59SEC/250B 49, 139	SB1816 22	SIG9606S 125	TB14 26
RG59SECPWR/100B 49, 139	SB2416 22	SIGMA6HDLTE 15	TB516 26
RJ12FF 78	SBC25 22	SIGMA9 15	TBS 26
RJ45FF 78	SBC32 22	SIGMAPOWERHD 15	TC870C 96
RJ45KS 68	SBC38 22	SIPTZ3X2MAHD 137	TC7001 55
RJ126P6C/SLD 78	SBF700 22	SIPTZ10X2MAHD 137	TC7002 55
RJ458P8C 78	SBF900 22	SIPTZ10X2MIP 137, 138	TE75PAL 55
RJ458P8C/100 78	SB17-312WDR 135	SISD2MAHD 136	TE75SC 55
RJ458P8C/SLD 78	SB17-922 135	SISD20MAHD 136	TERZA6HD 13
RJ458P8C/SLD/100 78	SB1628 135	SJA 146	TFM 26
RJ458P8C/TOOLLESS 78	SB1636 135	SJV6 146	THORNYDEVIL 24
RMI1812 21	SB1660 135	SP2SDP 83	T468 58
RM2716 21	SBS16 145	SP2TIP 82	T800 58
RMI 24	SBVP01 139	SP3SDP 83	TLSG1005D 77
RMT120 24	SBVP45HD 139	SP3TIP 82	TLSG1008D 77
RODKIT4MM5M 57	SC3162 26	SP4SDP 83	TLSG1016D 77
RODKIT6MM6M 57	SC316175 26	SP4TIP 82	TM20 26
RS1265 26	SC/APC-SC/APC 114, 116	SP5TIP 82	TM30 26
RS14100 26	SCR41S 144	SP6SDP 83	TM40 26
RT3 57	SE3 25	SP6TIP 82	TM50 26
RT6 57	SE4 25	SP8SDP 83	TMA20 26
	SE5 25	SP8TIP 82	TMA30 26
	SE7 25	SP22GDV 83	TMA40 26
S	SECP512DC1.5 138	SP32GDV 83	TMA50 26
SA162F 35	SECP512DC5A 138	SP42GDV 83	TMU/2 85
SA164F 35	SF4 90	SP52FA 126	TMU/4 85
SA504B 59	SF5 90	SP54FA 126	TORCHHEAD 72
SADC8HC-G 127	SHK-01 103	SP275F 82	TORCHHEAD-REC 72
SADC12HC-G 127	SI104T 132	SP275FG 82	TPE 119
SAM840 26	SI108T 132	SP275FPV 82	TRIKIT 25
SAM890 26	SI216T 132	SP375FPV 83	TRIKIT2 25
SAM1050 26			TRIKITCOM 25

Index of Products

TRMF-S 25
TRMIRON. 25
TRMIRONCB. 25
TRMIRONCB. 25
TRMIRONGR. 25
TRMRUBBER 25
TRMTILE 25
TRMTILE. 25
TRMTILECB. 25
TRMTILEGR 25
TRMTILEGR. 25
TS1949 60
TS2011 60
TVL242 28, 101
TVR300 49

U

UB51685 23
UB516140 23
UEM2 21
USB1AA 46
USBAL1.2Q 46
USBAM1.2 46

V

VASTCAM 123
VBOFFSET 23
VBP 23
VGA2 47
VGA3 47
VGA5 47
VGA10 47
VGA15 47
VGA20 47
VGA25 47
VGAM/F10 47
VGAM/F15 47
VGAM/F20 47
VOT1/2 114
VOT2/3 114
VOT3/4 114
VOT7/3 114
VOT8/2 114
VOT9/1 114
VOV2 114
VOV4 114
VPB1 24
VS2KIT 47
VS2001 47
VS2002 47
VS2012 47
VS2015 47
VS2018 47
VS2020 47
VS2021 47
VS2051 47

W

WBS 69
WCP 69
WN316 26
WP5 63
WP5F 63
WP5/ISOL 63
WPB 63
WPBP2 64
WPBULLNOSEB 64
WPBULLNOSE/FLUSH 64
WPBULLNOSEW 64
WPBULLRECESSB 64
WPBULLRECESSW 64

WPBULLSLIMW 64
WPC1 65
WPC2 65
WPC3 65
WPC4 65
WPC6 65
WPCA1 65
WPCA2 65
WPCABP 65
WPCB 65
WPCBRUSH 64
WPCC1 65
WPCC2 65
WPCC3 65
WPCC4 65
WPCC6 65
WPCCS1 67
WPCCS2 67
WPCCS3 67
WPCCS4 67
WPCCS5 67
WPCCS6 67
WPCCSB 67
WPCS1 65
WPCS2 65
WPDE 63
WPE1 68
WPE2 68
WPE3 68
WPE4 68
WPE6 68
WPF 63
WPFOFFF 63
WPFOFFRJ12 63
WPFTAP 63
WPM500B 68
WPM619KC 68
WPM619M4 68
WPM619MM 68
WPMBPB 68
WPMBPGB 68
WPMBPGR 68
WPMBPR 68
WPMCB 67
WPMCBNCBNC 67
WPMCBNCF 67
WPMCBPGB 66
WPMCBPGR 66
WPMCCAT5EW 67, 77
WPMCCAT6 67, 77
WPMCCAT6W 67, 77
WPMCF 66
WPMCFFA 66
WPMCHDMI 66
WPMCHDMIRA 66
WPMCHDMITAIL 66
WPMCM3 67, 77
WPMCPF 66
WPMCPFRA 66
WPMCRCAF 66
WPMCRCARCA 66
WPMCRCASB 67
WPMCRCASG 67
WPMCRCASY 66
WPMCRJ11 67, 77
WPMCRJ45 67, 77
WPMCS3.5 67
WPMCSW16A 67
WPMCUSB 67
WPME 68

WPMFF 68
WPMFFP 68
WPMHDMI 68
WPMPF 68
WPMRF 68
WPMRS 68
WPMTELW 67, 77
WPRCA2 64
WPRCA4 64
WPRPS01 69
WPRPS02 69
WPTVFM 63
WPVCR/TV 63
WS14ZP 26
WS38ZP 26
WS316ZP 26
WS516ZPL 26
WSC516 26

CONTACTS

Melbourne (Head Office):

42 Brunel Road
Seaford, 3198
Victoria
Tel: (03) 9776 9222
Fax: (03) 9776 9766
Skype: laceys.tv

North West Victoria & South Australia:

Allen Briant
Tel: 0488 198 509

Sydney:

1/18 Alfred Road
Chipping Norton, 2170
New South Wales
Tel: (02) 9755 5026
Fax: (02) 9755 5027

Brisbane:

1/65 Parramatta Road
Underwood, 4119
Queensland
Tel: (07) 3290 2410
Fax: (07) 3290 2552

Coffs Harbour:

4/161 Orlando Street
Coffs Harbour, 2450
New South Wales
Tel: (02) 6651 6100
Fax: (02) 6651 7022

Launceston:

20-22 Gleadow Street
Invermay, 7248
Tasmania
Tel: (03) 6331 1577
Fax: (03) 6334 1717

Townsville:

2/58 Pilkington Street
Garbutt, 4814
Queensland
Tel: (07) 4779 3608

Website: www.laceys.tv
E-mail: sales@laceys.tv

Peter C. Lacey Services Pty. Ltd. trading as Laceys.tv ABN 59769668785

Copyright © 2017 Peter C. Lacey Services Pty. Ltd.

Errors and Omissions Excepted.

Produced in Australia.