

# LPA50223



Tested to 80kg  
**20kg**

Fits Most  
**13" to 42"**

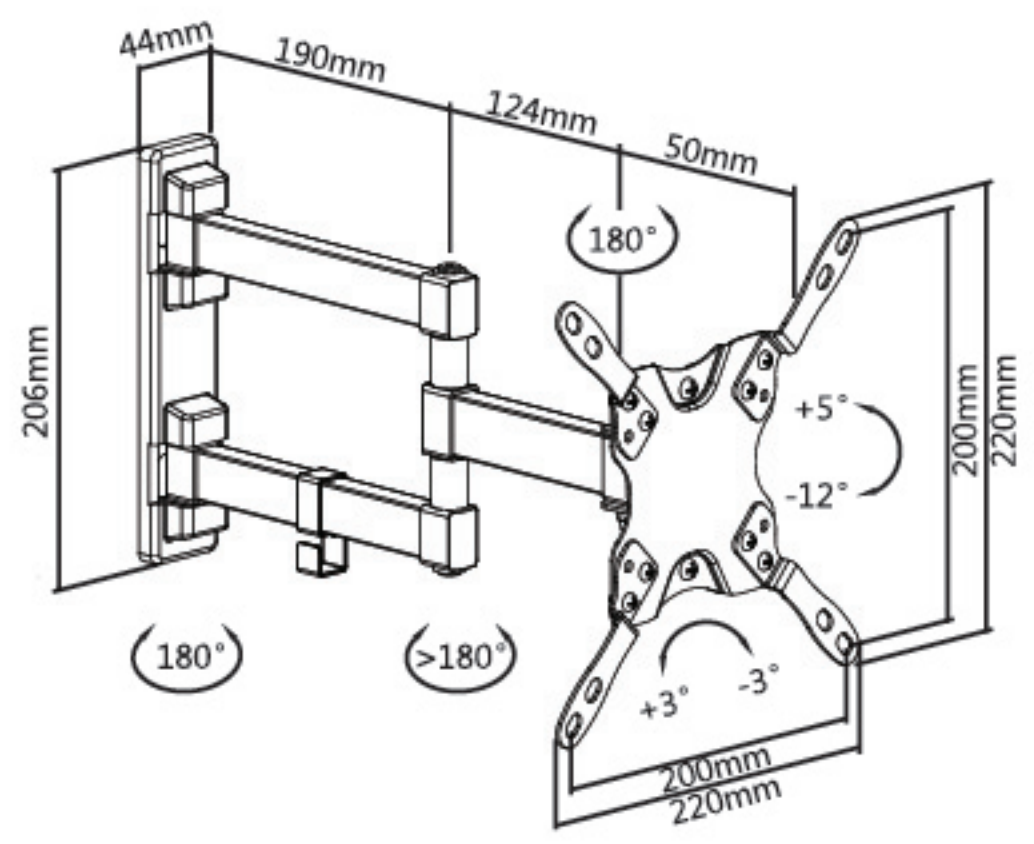


The LPA50223 TV Wall Mount Full-Motion Mechanism Bracket is ideal for flat and curved TV panels. Fits most 13" to 42" displays, up to 20kg, Max VESA 200 x 200mm.

Tilts -12 to +5 Swivels ±3 Rotates 180°

Multiple fixing options make it suitable for stud or solid wall mounting. Includes neat wall mount covers and cable management system.

Reaches up to 364mm from the wall.



**VESA**  
200x200 200x100  
100x100 or 75x75mm

**Wall Profile**  
60 to 364mm  
From Wall

**Cable Management**  
Included

**Swivels**  
+3° to -3°

**Tilts**  
-12° to +5°

**Rotates**  
>180°

Check your TV or display weight, mounting hole spacings and wall fixing availability before selecting.

### COMPATIBILITY

Up to 200x200  
VESA Interface

### MOUNT TYPE

Single Stud  
Flexible Full-Motion

### DIMENSIONS

13" to 42"  
Displays